

# USPS® POSTAGE RATES EFFECTIVE MAY 11, 2009

## First-Class Letters Retail (Domestic)

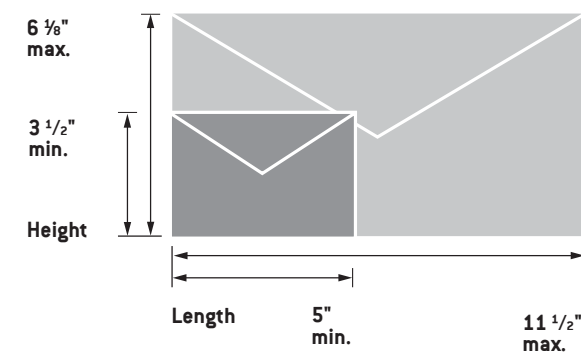
Weight Not Over (ounces)	1 <sup>1</sup>	2 <sup>1</sup>	3 <sup>1</sup>	3.5 <sup>1,2</sup>	Postcard Rate
Single-Piece	\$0.44	\$0.61	\$0.78	\$0.95	\$0.28

<sup>1</sup> Letters that meet one or more of the nonmachinable characteristics in DM 101.1.2 are subject to the \$0.20 nonmachinable surcharge.

<sup>2</sup> For weights over 3.5 ounces, see flat-size rates.

### FIRST-CLASS LETTER-SIZE MAIL

Dimension	Minimum	Maximum
Height	3 1/2"	6 1/8"
Length	5"	11 1/2"
Thickness	0.007"	0.250" (1/4")
Weight	0 oz.	3.5 oz.



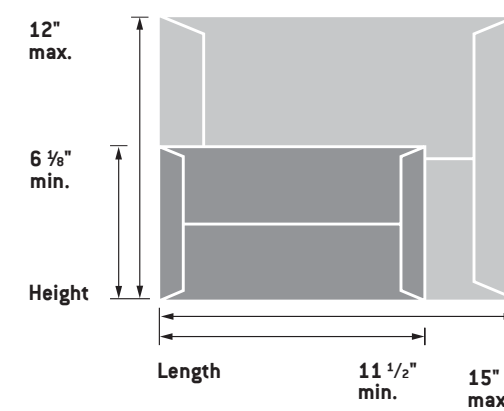
## First-Class Flats Retail (Domestic - Large Envelopes)

Weight Not Over (ounces)	1	2	3	4	5	6	7	8	9	10	11	12	13
Single-Piece	\$0.88	\$1.05	\$1.22	\$1.39	\$1.56	\$1.73	\$1.90	\$2.07	\$2.24	\$2.41	\$2.58	\$2.75	\$2.92

### First-Class Flat-Size Mail

Dimension	Minimum	Maximum
Height	6 1/8" <sup>3</sup>	12"
Length	11 1/2" <sup>3</sup>	15"
Thickness	0.250" (1/4") <sup>3</sup>	3/4"
Weight	0 oz.	13 oz.

<sup>3</sup> Must exceed at least one of these letter-size maximums.



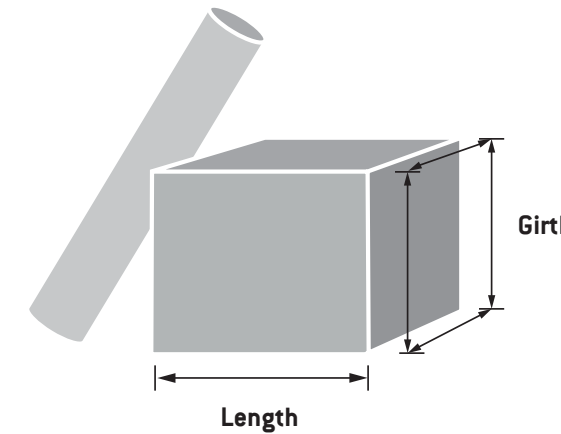
## First-Class Parcels Retail (Domestic - Packages)

Weight Not Over (ounces)	1	2	3	4	5	6	7	8	9	10	11	12	13
Single-Piece	\$1.22	\$1.39	\$1.56	\$1.73	\$1.90	\$2.07	\$2.24	\$2.41	\$2.58	\$2.75	\$2.92	\$3.09	\$3.26

### First-Class Parcels

Dimension	Measure
Length	The longest side of package
Girth	The thickest part perpendicular to length
Maximum Size	Length + Girth cannot exceed 108 inches
Maximum Weight	Not more than 13 oz. <sup>4</sup>

<sup>4</sup> For weights over 13 oz., see express mail, priority mail or parcel post rates.



## Express Mail Retail (Domestic)

Weight Not Over (pounds)	Zone						
	Local, 1 & 2	3	4	5	6	7	8
.5	\$13.05	\$15.20	\$18.50	\$19.80	\$20.10	\$20.90	\$21.20
1	\$15.00	\$19.80	\$23.60	\$24.20	\$24.70	\$25.05	\$25.15
2	\$16.30	\$20.90	\$25.95	\$26.55	\$27.05	\$27.25	\$27.65
3	\$17.30	\$22.20	\$29.85	\$30.55	\$31.15	\$31.35	\$31.65
4	\$18.60	\$23.60	\$33.75	\$35.00	\$35.15	\$35.30	\$35.60
5	\$19.30	\$25.25	\$37.60	\$39.00	\$39.10	\$39.30	\$39.60

The Express Mail retail flat-rate envelope is \$17.50 to any U.S. destination regardless of the actual weight of the piece.

## Priority Mail Retail (Domestic)

Weight Not Over (pounds)	Zone						
	Local, 1 <sup>5</sup> & 2 <sup>5</sup>	3 <sup>5</sup>	4 <sup>5</sup>	5 <sup>6</sup>	6 <sup>6</sup>	7 <sup>6</sup>	8 <sup>6</sup>
1	\$4.95	\$4.95	\$4.95	\$4.95	\$4.95	\$4.95	\$4.95
2	\$4.95	\$5.20	\$5.75	\$7.10	\$7.60	\$8.10	\$8.70
3	\$5.50	\$6.25	\$7.10	\$9.05	\$9.90	\$10.60	\$11.95
4	\$6.10	\$7.10	\$8.15	\$10.80	\$11.95	\$12.95	\$14.70
5	\$6.85	\$8.15	\$9.45	\$12.70	\$13.75	\$15.20	\$17.15

Priority Mail flat-rate envelope is \$4.95 to any U.S. destination regardless of weight.  
Priority Mail regular flat-rate box is \$10.35 to any U.S. destination regardless of weight.  
Priority Mail large flat-rate box is \$13.95 to all domestic addresses.

<sup>5</sup> If parcel addressed to Zone 1-4 measures more than 84 inches in combined length and girth, please refer to www.usps.com, Domestic Mail Manual.

<sup>6</sup> Zone 5-8 parcels that exceed 1 cubic foot may be charged dimensional weight. Please refer to www.usps.com, Domestic Mail Manual.

## Parcel Post (Inter-BMC/ASF)

Weight Not Over (pounds)	Machinable parcels						
	1 <sup>5</sup> & 2 <sup>5</sup>	3 <sup>5</sup>	4 <sup>5</sup>	5 <sup>5</sup>	6 <sup>5</sup>	7 <sup>5</sup>	8 <sup>5</sup>
1	\$4.90	\$4.90	\$4.90	\$4.90	\$4.90	\$4.90	\$4.90
2	\$4.90	\$5.15	\$5.70	\$7.02	\$7.33	\$7.62	\$8.09
3	\$5.45	\$6.20	\$7.05	\$8.18	\$8.85	\$9.27	\$9.92
4	\$6.05	\$7.05	\$7.94	\$9.20	\$10.05	\$10.66	\$11.57
5	\$6.80	\$8.10	\$9.02	\$10.05	\$10.78	\$11.37	\$12.34
6	\$7.50	\$9.20	\$9.94	\$10.94	\$11.45	\$12.02	\$13.03
7	\$8.25	\$10.00	\$10.49	\$11.80	\$12.36	\$13.01	\$14.15
8	\$8.56	\$10.34	\$10.86	\$12.17	\$12.96	\$13.74	\$15.03
9	\$8.87	\$10.69	\$11.24	\$12.55	\$13.56	\$14.47	\$15.90
10	\$9.18	\$11.03	\$11.61	\$12.92	\$14.16	\$15.21	\$16.77

## Reduce your postal costs with one of the following solutions.



### IS-Series:

The IS Series of intelligent mailing systems is the key to meeting the USPS Shape Based Pricing structure. When equipped with a dynamic weighing platform, it measures the length, width, thickness and weight of each mail piece to calculate exact postage rate.



### Folder Inserter:

A Neopost Folder Inserter will help you reconfigure the flats you're now mailing into letter-size envelopes, **saving you up to 49%** on postage under the new rules.



### Address Printers:

With the Rate Change, the USPS is offering steep postal discounts for those who format their addresses for USPS mail automation rates, which could **save you up to 46%** on your postage costs.



### Software Solutions:

Neopost's Postal Accountant gives you the reporting tools you need to control postage expenses. Our multi-carrier shipping software solutions allow you to compare rates from all major carriers and streamline your shipping data management process, saving you **up to 20%** on total shipping cost.

For more information call 1-800-624-7892 today or visit us at [www.neopostinc.com](http://www.neopostinc.com)